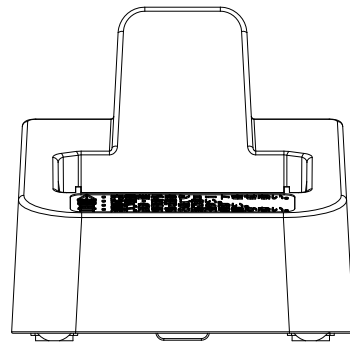
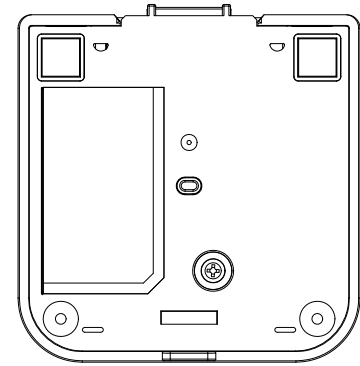
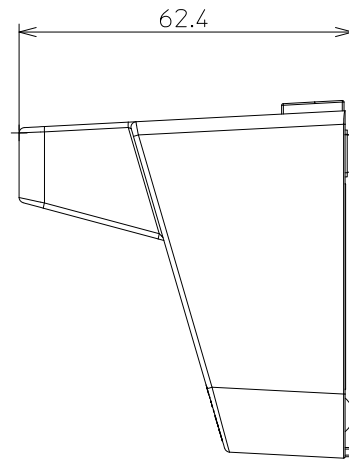
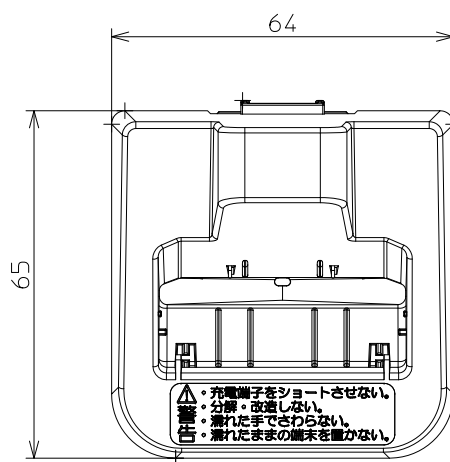
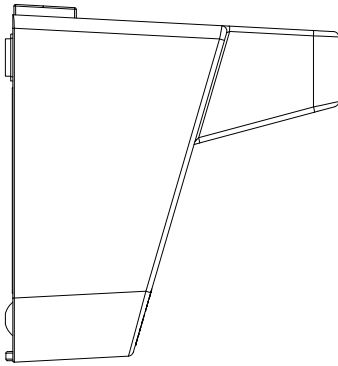
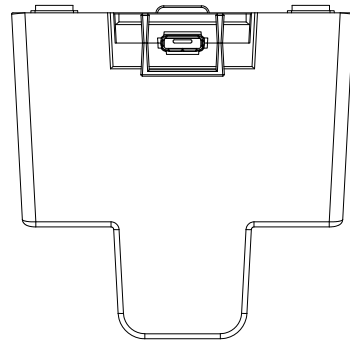


SYM.	REVISIONS	DATE	REVD.	CHKD.	APPD.	DWN.			
						DSN.			
						CHKD.			
						APPD.			
Hitachi, Ltd. Tokyo Japan							Telecommunications & Network Systems Div DWG. NO.		
							EE000708(1/2)		

HI-D8PS WP 外觀図
(型名:HI-D8PSWP)

Telecommunications & Network Systems Div DWG. NO.

EE000708(1/2)



SYM.	REVISIONS	DATE	REVD.	CHKD.	APPD.	DWN.			
						DSN.			
						CHKD.			
						APPD.			
Hitachi, Ltd. Tokyo Japan							Telecommunications & Network Systems Div DWG. NO.		
							EE000708(2/2)		

HI-D8PS充電器 外觀図
(型名 : HI-D8CG)

Telecommunications & Network Systems Div DWG. NO.

EE000708(2/2)